

## Weather Station



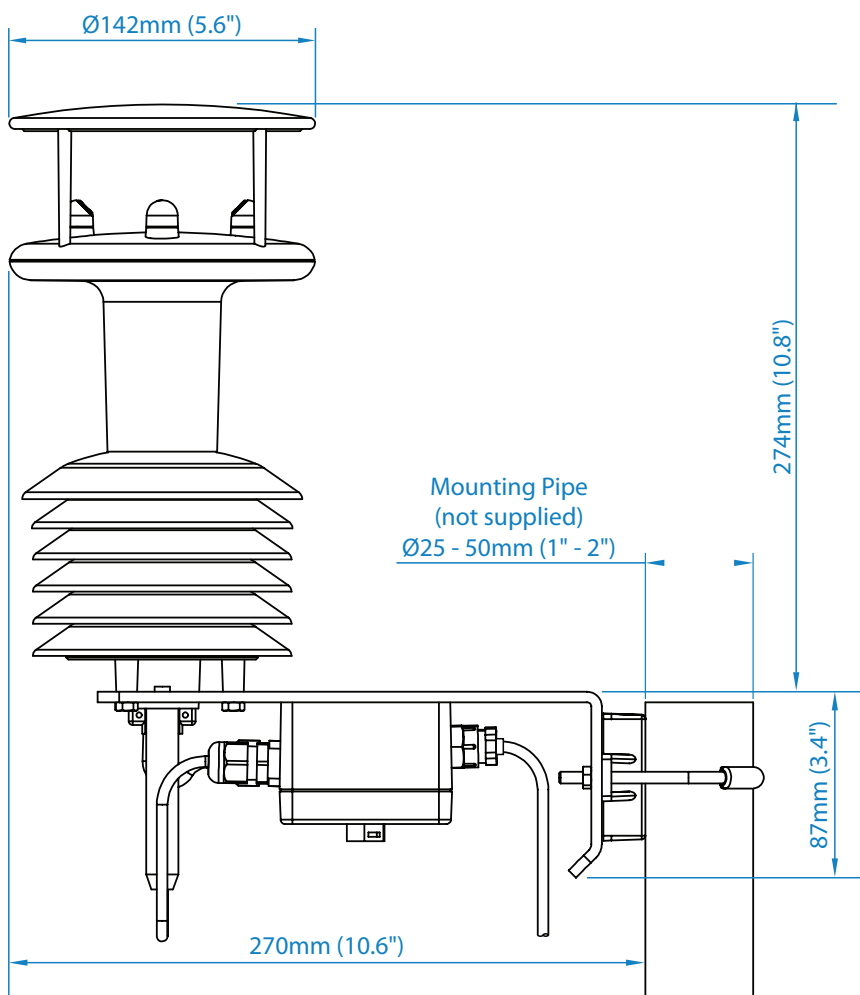
### Key Features

- Wind Speed & Direction
- Temperature
- Humidity
- Barometric Pressure
- Dew Point

The MetPak II™ weather station utilises Gill WindSonic ultrasonic technology, an internal barometric pressure sensor and a Rotronic Hygroclip HC2-S3 temperature/humidity probe. The temperature/humidity probe is mounted within a naturally aspirated radiation shield. The unit is supplied with a rugged U-bolt mounting clamp that attaches to any suitable vertical pipe up to 50 mm diameter.



### MetPak II



### Optional Accessories

- 15m Power and Data Cable
- USB Configuration Cable
- MetView Display Software
- MetSet Configuration Software

# Weather Station

## Wind Measurement

Parameters	Wind speed & direction or U & V (Vectors)
Units of measure	m/s, knots, mph, kph, ft/min

	Wind Speed	Wind Direction
Range	0-60m/s (134 mph)	0 to 359° - No dead band
Accuracy	±2% @12m/s	±3° @12m/s
Resolution	0.01m/s (0.02 mph)	1°

## Air Temperature

Air temperature	Pt100 1/3 Class B
Range	-35°C to +70°C
Accuracy	±0.1°C
Resolution	0.1°C (0.1°F)
Units of measure	°C or °F

## Relative Humidity

Range	0-100% RH
Accuracy	±0.8% @23°C
Resolution	0.1% RH
Units of measure	% RH
Compensated for temperature dependency	

## Barometric Pressure

Range	600-1100hPa
Accuracy	±0.5hPa
Resolution	0.1hPa
Units of measure	hPa, mbar, mmHg, InHg
Compensated for temperature dependency -20°C to +70°C	

## Dew Point

Resolution	0.1°C (0.1°F)
Units of measure	°C or °F
Accuracy	±0.15°C (23°C ambient temp @20°C dew point)

## Software

MetView	Free software providing the means for the display of data and logging
MetSet	Free software providing the means for the configuration of the Metpak II & MetPak Pro

Specifications may be subject to change without prior notice.

## Power Supply

Input voltage	5 V to 30 V
Current	< 16mA (Output 1 second) @12 V
<b>SDI-12</b>	
Input voltage	12 V nominal (9.6-16 V)
Current	< 6.5mA Low power operation

## Outputs

Digital outputs	RS232, RS422, RS485* or SDI-12 (user selectable) 2 wire point to point
Baud rates	4800-57600 (ASCII) or 1200 (SDI-12)
Protocols	ASCII, SDI-12 V1.3 or NMEA 0183
Data output	1s, 2s, 4s or polled mode

## Environmental

Protection class	IP65
EMC	EN 61326
Operating temperature	-35°C to +70°C
Storage temperature	-40°C to +80°C
Operating humidity	0% to 100% humidity

## Mechanical

External construction	UV stabilised white thermoplastic
Fittings	Gloss white painted aluminium mounting bracket (with moulded plastic V-block and stainless steel U-bolt), which allows attachment to a vertical pipe of any diameter between 25mm and 50mm
Weight	1.1kg (including bracket)



Gill Instruments Ltd  
Saltmarsh Park  
67 Gosport Street  
Lymington  
Hampshire  
SO41 9EG, UK

T: +44 (0) 1590 613 500  
F: +44 (0) 1590 613 555  
E: [anem@gill.co.uk](mailto:anem@gill.co.uk)

[www.gill.co.uk](http://www.gill.co.uk)



Copyright © Gill Instruments 2011

D212 - Iss 1

Gill Instruments Ltd

Reg No. 3154453 Registered Office: The George Business Centre, Christchurch Road, New Milton, BH25 6QJ