

## GMX700 Compact Weather Station

The MaxiMet range of compact weather stations is designed and manufactured by Gill Instruments. MaxiMet products use reliable, high quality instruments to provide accurate meteorological information in a wide variety of applications.

### GMX700 Features

**Temperature, humidity, pressure.** A combined instrument mounted inside three double louvered, naturally aspirated radiation shields with no moving parts. The results are high performance across each measurement over long periods of time.

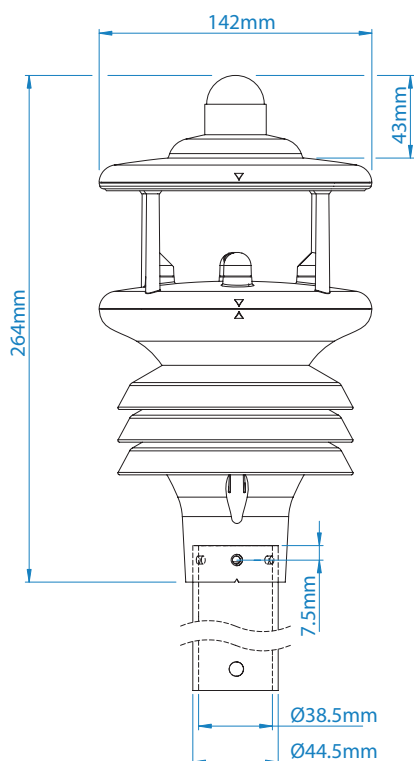
**Solar radiation.** An integrated solar radiation sensor/pyranometer. This highly accurate instrument uses a thermal sensor mounted at its base and protected by a single glass dome to record the amount of light in watts per metre<sup>2</sup>. It is widely used in agro-meteorological applications and for monitoring the performance of solar panels.

**Wind.** Wind speed and direction measurements are provided via an ultrasonic sensor and the addition of an electronic compass provides apparent wind measurements. Average speed and direction together with WMO averages and gust data is also provided. Add GPS (optional) to provide true wind and other features.

**Precipitation.** The Kalyx tipping bucket rain gauge supplied with the GMX700 provides excellent performance in tropical or heavy convective precipitation locations. The low power Kalyx communicates with the GMX700 via Bluetooth so no communications cabling is required.



TEMP, HUMIDITY & PRESSURE	SOLAR RADIATION	WIND	PARAMETERS	
<ul style="list-style-type: none"> <li>Air Pressure / Temperature</li> <li>Relative / Absolute humidity</li> <li>Naturally aspirated UV stable Radiation shield</li> <li>Protection against wind-blown precipitation/dust</li> </ul>	<ul style="list-style-type: none"> <li>Complies with ISO 9060 and WMO Guidelines</li> <li>Output in watts per metre<sup>2</sup></li> <li>180° hemispherical field of view</li> <li>Records sunshine hours</li> <li>Integrated Hukseflux LP02 pyranometer</li> <li>Glass dome</li> </ul>	<ul style="list-style-type: none"> <li>Wind speed &amp; direction</li> <li>Apparent and true wind (with GPS)</li> <li>WMO wind averages and gust</li> <li>Compass</li> <li>GPS (optional) gives height above sea level, latitude and longitude</li> </ul>	<ul style="list-style-type: none"> <li>Solar radiation <math>w/m^2</math></li> <li>Sunshine hours <i>hrs</i></li> <li>Temperature °C / °F / °K</li> <li>Relative humidity % Rh, <math>g/m^3</math> g/kg</li> <li>Barometric pressure <i>hPa, bar, mm Hg</i></li> <li>Absolute humidity <math>g/m^3</math></li> <li>Precipitation <i>mm/hr, mm/total, mm/24 hr in/hr, in/total, in/24 hr</i></li> <li>Wind speed <i>m/s, km/hr, mph, kts, ft/min</i></li> <li>Wind direction °</li> <li>True/apparent wind</li> <li>Outputs <i>RS232, 422, 485 (ASCII), SDI-12, NMEA, MODBUS, Analogue (option)</i></li> </ul>	
<th>GPS (OPTION)</th> <td></td>			GPS (OPTION)	
<ul style="list-style-type: none"> <li>Height above sea level <i>m</i></li> <li>Sunrise/sunset</li> <li>Position of the sun</li> <li>Twilight</li> <li>MSL pressure</li> </ul>				



### All MaxiMet Models Feature

- Quality Measurements
- Lightweight and Robust
- Low Power Mode
- Free of Charge Software
- Gill Proven Reliability
- Compact Integrated Design
- Real Time Output
- Easy Installation
- Bluetooth Service Port
- Gill Customer Support
- 2 Year Warranty

## Kalyx Rain Gauge

The MaxiMet range of compact weather stations is designed and manufactured by Gill Instruments. MaxiMet products use reliable, high quality instruments to provide accurate meteorological information in a wide variety of applications.

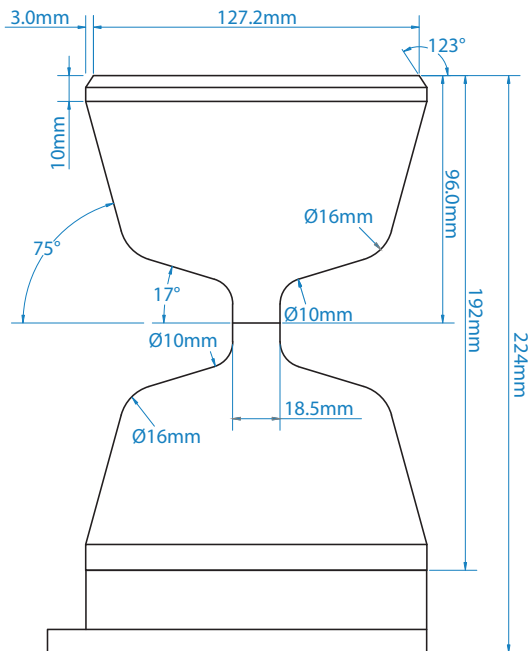
### Kalyx Rain Gauge Features

**Precipitation.** The Kalyx tipping bucket rain gauge supplied with the GMX700 provides excellent performance in tropical or heavy convective precipitation locations. The low power Kalyx communicates with the GMX700 via Bluetooth so no communications cabling is required.

The sensor is based on a tipping bucket mechanism which automatically tips when a certain amount of precipitation accumulates inside of it. Total precipitation is determined by the number of tips.

The unique aerodynamic shape of the rain gauge reduces the effect of wind blowing and carrying rainfall away from the collecting vessel.

The tipping bucket type sensor does not accumulate rainfall and does not need to be emptied.



SPECIFICATION	
Measurement type	TBRG (Kalyx, via Bluetooth)
Range	0-1000 mm/hr
Precipitation Resolution	0.2 mm
Accuracy	2%
Sampling Rate	1 Hz
Units	mm/hr, mm/total, mm/24 hr, in/hr, in/total, in/24 hr
Heating	N/A
Output	Wireless to GMX700

## Applications

- Building and Industrial Controls
- Authorities
- Transport
- Coastal
- Agricultural
- Safety
- Educational
- Commercial
- Energy

WIND SPEED	
Range	0.1 m/s to 60 m/s
Accuracy	± 3% to 40 m/s, ± 5% to 60 m/s
Resolution m/s	0.01
Starting Speed	0.1 m/s
Sampling Rate	1 Hz
Units	m/s, km/hr, mph, kts, ft/min

WIND DIRECTION	
Range	0-359°
Accuracy	± 3° to 40 m/s ± 5° to 60 m/s
Resolution	1°
Sampling Rate	1 Hz
Units	Degrees

TEMPERATURE	
Range	-40°C to +70°C
Resolution	0.1
Accuracy	± 0.3°C @ 20°C
Sampling Rate	1 Hz
Units	°C, °F, °K

HUMIDITY	
Range	0-100%
Resolution	1%
Accuracy	± 2% @ 20°C (10%-90% RH)
Sampling Rate	1 Hz
Units	% Rh, g/m3, g/Kg

DEW POINT	
Range	-40°C to +70°C
Resolution	0.1
Accuracy	± 0.3°C @ 20°C
Units	°C, °F, °K
Sampling Rate	1 Hz

PRESSURE	
Range	300 to 1100
Resolution	0.1 hPa
Accuracy	± 0.5 hPa @ 25°C
Sampling Rate	1 Hz
Units	hPa, bar, mmHg, inHg

PRECIPITATION	
Measurement type	TBRG (Kalyx, via Bluetooth)
Range	0-1000 mm/hr
Precipitation Resolution	0.2 mm
Accuracy	2%
Sampling Rate	1 Hz
Units	mm/hr, mm/total, mm/24 hr, in/hr, in/total, in/24 hr
Heating	N/A
Output	Wireless to GMX700

GLOBAL SOLAR RADIATION	
Wavelength Sensitivity	300 to 3000 nm
Output Range	0 to 1600 w/m <sup>2</sup>
Resolution	1 w/m <sup>2</sup>
DIN Standard	ISO 9060 Second Class
Sampling Rate	1 Hz
Units	w/m <sup>2</sup>

OUTPUTS	
Output rate	1/s, 1/min, 1/hr
Digital Comms Modes	Serial RS232, RS422, RS485, SDI-12, NMEA, MODBUS, ASCII
Analogue Outputs	Available via separate optional device

POWER	
Power Supply	5 to 30 Vdc
Power (Nominal) 12 Vdc	50 mA continuous high mode. 0.05 mA eco-power mode (1 hour polled)

ENVIRONMENTAL CONDITIONS	
IP Rating	66
Operational Temperature Range:	-40°C to +70°C
EMC Standard:	BS EN 61326 : 2013 FCC CFR47 parts 15.109
CE Marking	YES
RoHS compliant	YES
Weight	0.7 Kg (+ 0.9 kg Rain Gauge)
Origin	UK

Specifications may be subject to change without prior notice



### Gill Instruments Limited

Saltmarsh Park, 67 Gosport Street  
Lymington, Hampshire SO41 9EG  
United Kingdom

Tel: +44 (0) 1590 613 500  
Fax: +44 (0) 1590 613 501  
anem@gillinstruments.com



[gillinstruments.com](http://gillinstruments.com)

1957-011 Iss 2

Copyright © Gill Instruments 2015

Gill Instruments Limited, Reg No. 2281574  
Registered Office: The George Business Centre, Christchurch Road, New Milton, BH25 6QJ