

Weather Station

Key Features

- Remote Wind Speed & Direction
- Temperature
- Humidity
- Barometric Pressure
- Dew Point

The MetPak II Remote is a compact and lightweight multi-sensor instrument that measures a wide range of weather parameters, with a remote WindSonic wind sensor for measurement of wind up to 10 metres away from the MetPak II Hub.

The dedicated WindSonic wind speed and direction sensor may be mounted on a 10m mast with the MetPak II Hub fitted at a height of between 1.25m and 2m. This configuration meets the requirements of the WMO*. The system is supplied complete with a 10m cable, connected to the MetPak II Hub and made ready for connection to the WindSonic.

Gill ultrasonic technology, as used in the proven WindSonic instrument, measures wind speed and direction. Temperature and humidity are measured using an industry standard probe housed in a naturally aspirated radiation shield. Barometric pressure is measured within a vented enclosure. A serial data output is provided to interface to industry standard data loggers.

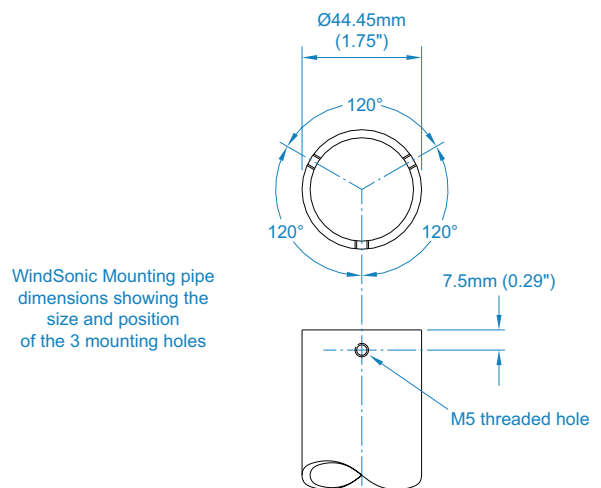
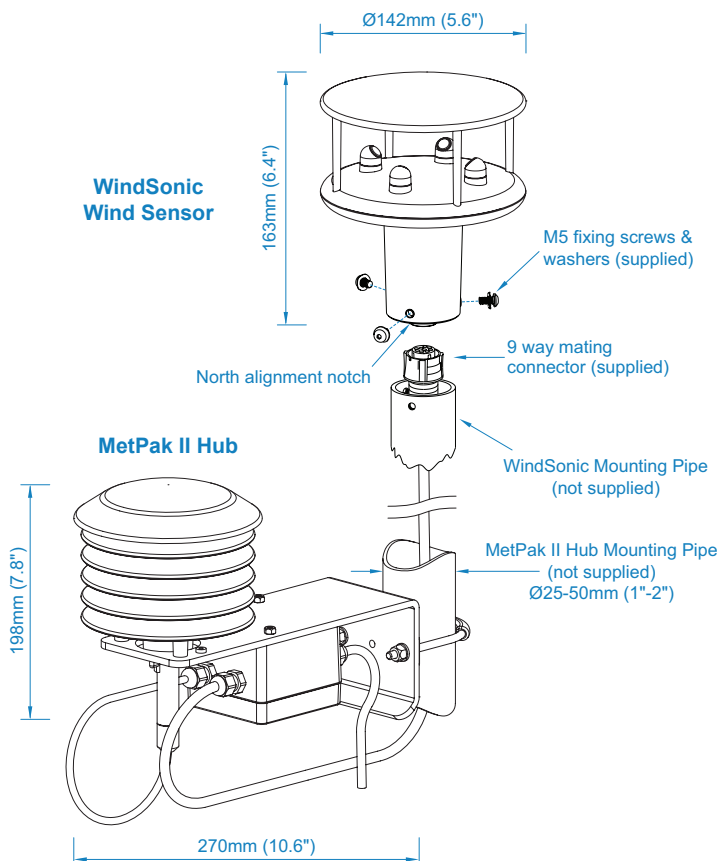
*Ref: Guide to Meteorological Instruments and Methods of Observation, issued by the World Meteorological Organization



MetPak II Remote

Optional Accessories

- USB Configuration Cable
- MetView Display Software
- MetSet Configuration Software
- 15m Power and Data Cable (power supply to the MetPak Hub)



Weather Station

Wind Measurement

Parameters	Wind speed & direction or U & V (Vectors)	
Units of measure	m/s, knots, mph, kph, ft/min	
	Wind Speed	Wind Direction
Range	0-60m/s (134 mph)	0 to 359° - No dead band
Accuracy	±2% @12m/s	±3° @12m/s
Resolution	0.01m/s (0.02 mph)	1°

Air Temperature

Air temperature	Pt100 1/3 Class B
Range	-35°C to +70°C
Accuracy	±0.1°C
Resolution	0.1°C (0.1°F)
Units of measure	°C or °F

Relative Humidity

Range	0-100% RH
Accuracy	±0.8% @23°C
Resolution	0.1% RH
Units of measure	% RH
Compensated for temperature dependency	

Barometric Pressure

Range	600-1100hPa
Accuracy	±0.5hPa
Resolution	0.1hPa
Units of measure	hPa, mbar, mmHg, InHg
Compensated for temperature dependency -20°C to +70°C	

Dew Point

Resolution	0.1°C (0.1°F)
Units of measure	°C or °F
Accuracy	±0.15°C (23°C ambient temp @20°C dew point)

Power Supply

Input voltage	5 V to 30 V
Current	< 16mA (Output 1 second) @12 V
SDI-12	
Input voltage	12 V nominal (9.6-16 V)
Current	< 6.5mA Low power operation

Outputs

Digital outputs	RS232, RS422, RS485* or SDI-12 (user selectable) *2 wire point to point
Baud rates	4800-57600 (ASCII) or 1200 (SDI-12)
Protocols	ASCII, SDI-12 V1.3 or NMEA 0183
Data output	1s, 2s, 4s or polled mode

Environmental

Protection class	IP65
EMC	EN 61326
Operating temperature	-35°C to +70°C
Storage temperature	-40°C to +80°C
Operating humidity	0% to 100% humidity

Mechanical

External construction	UV stabilised white thermoplastic
Fittings	Gloss white painted aluminium mounting bracket (with moulded plastic V-block and stainless steel U-bolt), which allows attachment to a vertical pipe of any diameter between 25mm and 50mm
Weight (WindSonic)	0.5kg (excluding 10m cable)
Weight (MetPak II Hub)	0.6kg (excluding 10m cable)
Weight (MetPak II Hub)	1.5kg (including 10m cable)

Software

MetView	Free software providing the means for the display of data and logging
MetSet	Free software providing the means for the configuration of the Metpak II Remote

Specifications may be subject to change without prior notice.



Gill Instruments Ltd
Saltmarsh Park
67 Gosport Street
Lymington
Hampshire
SO41 9EG, UK

T: +44 (0) 1590 613 500
F: +44 (0) 1590 613 555
E: anem@gill.co.uk

www.gill.co.uk



Copyright © Gill Instruments 2011

D230 - Iss 1

Gill Instruments Ltd

Reg No. 3154453 Registered Office: The George Business Centre, Christchurch Road, New Milton, BH25 6QJ